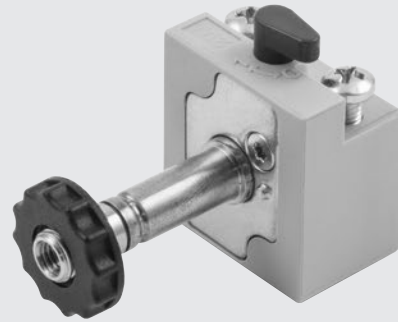


SOLENOID VALVE CNOMO WITH HAND LEVER OPERATOR

Solenoid valve to CNOMO 060580.

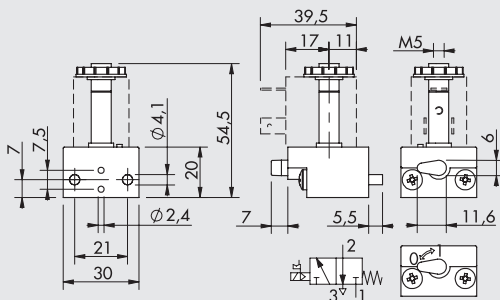
- 3/2 version normally closed.
- Assembly on manifold base.



TECHNICAL DATA

Operating pressure	bar	Max 10
Operating temperature range	°C	-10 to 60
Solenoid rating		100% ED
Fluid		Filtered lubricated or unlubricated air
System		With poppet
Nominal flow rate	l/min	40
TRA/TRR at 6 bar	ms	22/32
Maximum coil nut torque	Nm	1
Tightening torque for M4 fixing screws	Nm	1

DIMENSIONS AND ORDERING CODES



NOTES

Code	Description
88291B9	Cnomo 3/2 with bistable hand lever operator